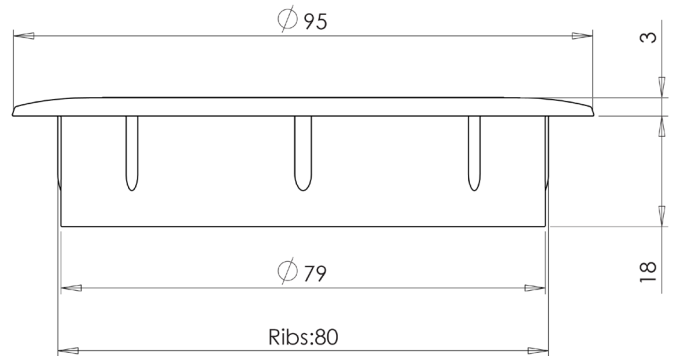


WIRELESS SURFACE CHARGER

(Standard)



Product Description

Install this wireless charging transmitter within any desk, meeting table or other worksurface; and enjoy the convenience of being able to charge smartphones and tablets without being tethered or having the hassle of finding a power point.

Product Specification

Product code	AIR0004W
Finish / colour	White (Standard)
Power cable	2m USB
IP Rating	Rated IP55
Input	DC 5V, 1500mA (plug must be this specification)
Frequency	100-200kHz
Fits into 80mm hole in worksurface (retrofitable to standard 80mm desk grommets)	
Can be secured to underside of work surface using steel plate and screws provided	
Fits to a range of desk thicknesses (18mm - 50mm)	
Plug supplied / purchased separately - AIR0006 (UK), AIR0007 (EU), AIR0008 (US)	
USB power cable allows multiple units to be connected to hub (supplied separately)	
Soft rubber ring to place phone / device on	
Qi certified - supports all Qi compatible devices and Aircharge accessories	

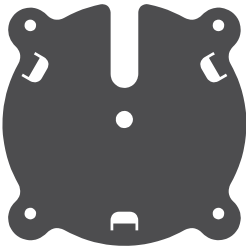


Provided in the Box



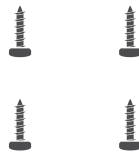
Charger

The charger comes with a 2m long USB cable, ready to plug into a transformer, computer, or hub



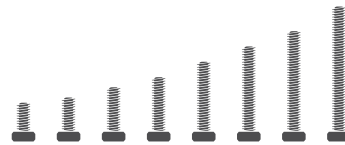
Steel Plate

The plate clamps the charger to the desk



Wood Screws

For added security, the plate can be fixed to the desk using the wood screws provided



Bolts

8 different length bolts are provided to enable you to secure your charger to a range of work top thicknesses (18mm - 50mm)



Spacers

Spacers may need to be used with the bolt for certain desk thicknesses



Allen Key

To tighten the bolt



Cable Clips

Adhesive cable clips hold the power cable to the underside of the desk, ensuring everything is kept tidy (screw-in clips can also be provided)



Learn More

Scan the QR-code above to view a video of this product

